

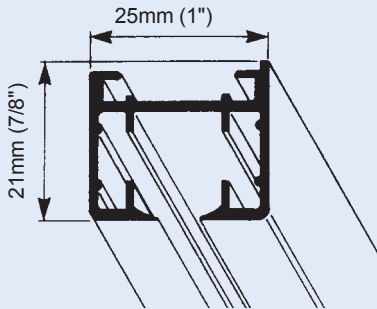
Motorized Drapery Track System Silent Gliss® 5100



Motorized Drapery Track System Silent Gliss® 5100

2191

1:1



Product Information

- #5100 is a medium to heavy duty, belt driven drapery track system
- Electronic motor with built-in low voltage switching capabilities and thermal overload protection
- Built in low voltage interface allows direct access to all automated control systems
- Optional motors with built-in BUS technology (see section Controls and Electrical Data)
- Optional Infrared Remote Control, Timer, Sun Sensor (see section Controls and Electrical Data)
- System limits may be set from either switch locations or remote transmitter and are protected during power failure
- System can be curved or bent on both inside and outside radii
- Accommodates Pinch Pleat, S-fold or Z-fold drapery headings (see section "appendix" for additional S/Z-fold information)
- Entire system or motor only may be recessed into ceiling
- Motor is completely concealed behind drapery when mounted below system
- Single or multiple stacking arrangements are possible
- Optional crank for manual override during power failure
- Operation from multiple individual switches and/or a master switch is possible without any additional control devices theaters
- Ideal for homes, offices, boardrooms, hotels, small stages and home theaters
- 5 Year Limited Warranty

Can be bent
Min. radius R
2191 = 250mm (10")

(Recessed profiles cannot be bent)

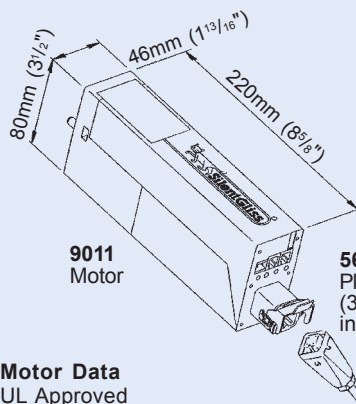
System Configurations and Maximum Drapery Weights

	System width	2m (7')	4m (13')	6m (20')	8m (27')	10m (33')
Heavy duty motor (3 Nm)		133lb 60kg	122lb 55kg	111lb 50kg	107lb 48kg	102lb 46kg
		133lb 60kg	122lb 55kg	111lb 50kg	107lb 48kg	102lb 46kg
		89lb 40kg	76lb 34kg	69lb 31kg	58lb 26kg	49lb 22kg
		89lb 40kg	76lb 34kg	69lb 31kg	58lb 26kg	49lb 22kg
		71lb 32kg	62lb 28kg	53lb 24kg	44lb 20kg	36lb 16kg
		71lb 32kg	62lb 28kg	53lb 24kg	44lb 20kg	36lb 16kg
		89lb 40kg	76lb 34kg	69lb 31kg	58lb 26kg	49lb 22kg
		89lb 40kg	76lb 34kg	69lb 31kg	58lb 26kg	49lb 22kg

Formula to arrive at drapery weight: $\frac{A \times B \times C \times D}{9^{**} \times 16^{***}} = \text{lbs.}$ ** To arrive from ft.² to yd.²
*** Convert oz. into lbs.

Example
 Rail Length (A): 20 ft. (straight) $\frac{20 \times 8 \times 2 \times 15}{9 \times 16} = 33.3\text{lbs.}$
 Drapery Height (B): 8 ft.
 Drapery Fullness (C): 2 = 100% (double) fullness or 2.2 = 120% fullness, etc. Conclusion:
5100 2Nm Motor can be used.
 Drapery Weight (D): 15 oz./y²

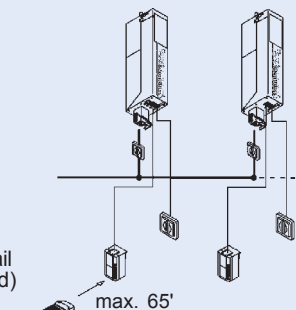
Electrical Information



Motor Data
 UL Approved
 Interference-free electronic motor
 Thermal Overload Protection
 Speed: 15cm/sec (6"/sec)
 115V/60Hz/140s/1.20Amp (3Nm)
 (Export Version)
 230V/50Hz/120s/1.20Amp (3Nm)

Operating Methods

Combining of IR / transmitter / wall switch / multiple motors



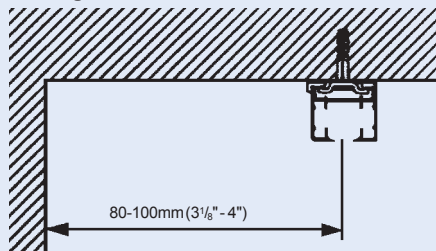
For additional motor options refer to section "Controls and Electrical Data"

For additional information on controls and electrical wiring refer to section "Controls and Electrical Data"

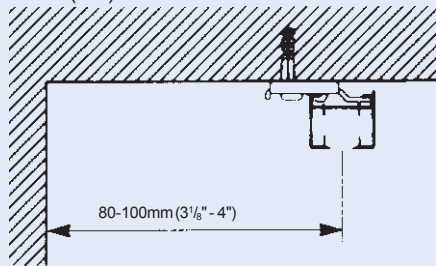
Motorized Drapery Track System Silent Gliss® 5100

Installation

Ceiling Mount

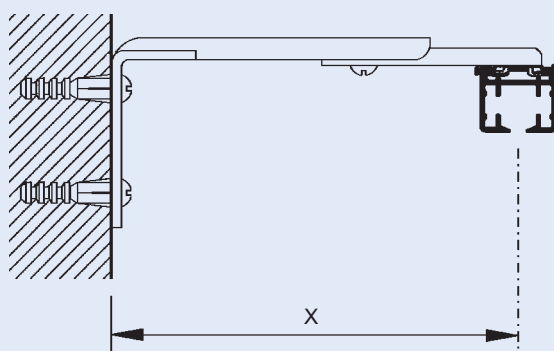


Swing clamp #3825 spaced approx.
60cm (24") o.c.



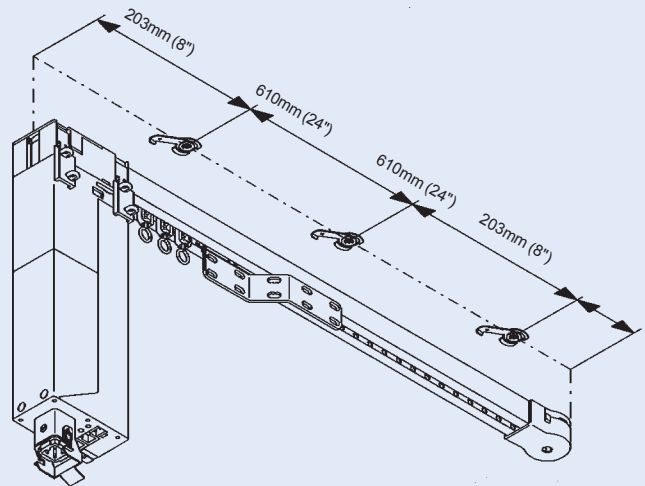
Bracket #3832 spaced approx.
60cm (24") o.c.

Wall Mount

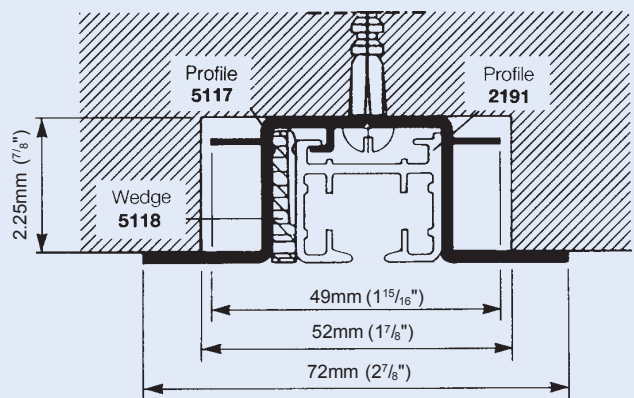


Wall mount with bracket #3832 and
extension bracket #0829 or #0831

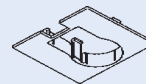
Bracket	X
#0829	N/A-64mm (N/A-2 1/2")
#0831	67-95mm (2 5/8 - 3 3/4")



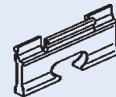
Recessed Mount



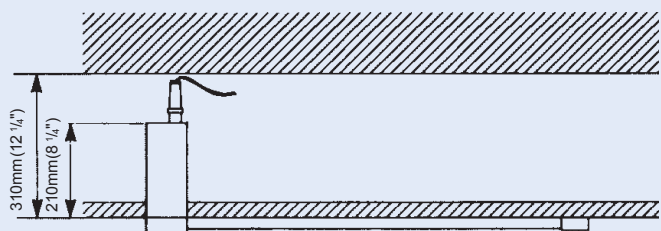
Profile recessed into ceiling with
motor below rail or rail and motor
recessed into ceiling



5114
Ceiling Cover
plate



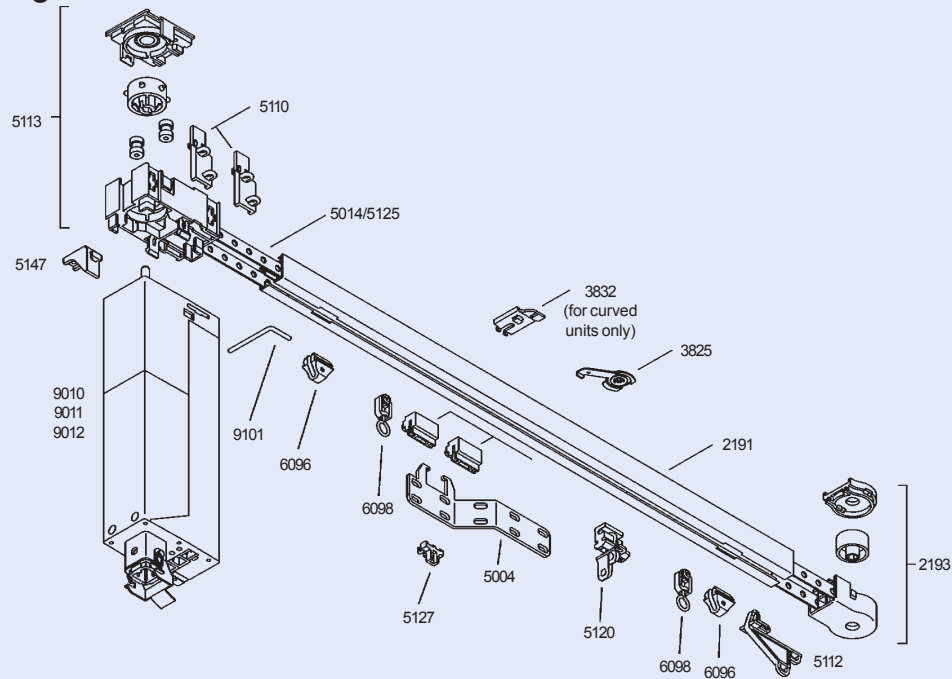
5118
Wedge



System ceiling mounted with motor recessed above

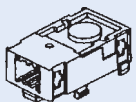
Motorized Drapery Track System Silent Gliss® 5100

Explosion Drawing

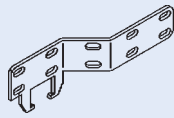


Standard Components

5101 Pulley Set



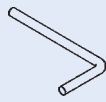
5113
Drive Pulley



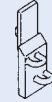
5004
Overlap



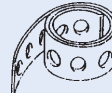
5127
Retainer Clip



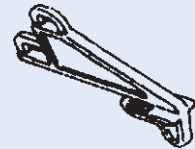
9101
Motor Pin



5110
Mask (2X)



5125
Belt



5112
Return Mask



2193
Return Pulley



5005
Belt Connector



5120
Pilot (split draw)



5147
Support



3825
Mounting Bracket



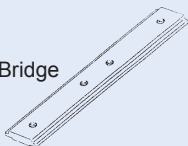
6086
Spring Stop



6098
Roller

Optional Components

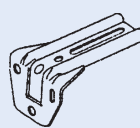
5115
Connecting Bridge



6094
Roller
with hook



0829
70mm (2³/₄"")
Wall Extension
Bracket



5135
Crank



S-fold/Z-fold
components
refer to
section
"appendix"

3832
Bracket
for curved systems
and wall mount



0831
100mm (4.0")
Wall Extension
Bracket

